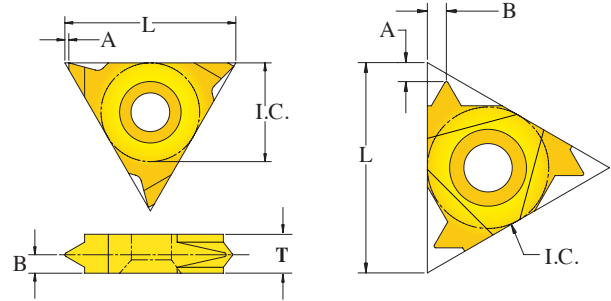
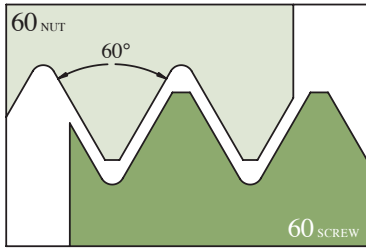


## PARTIAL PROFILE 60° EXTERNAL



VERTICAL

STANDARD

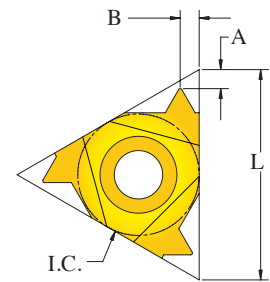
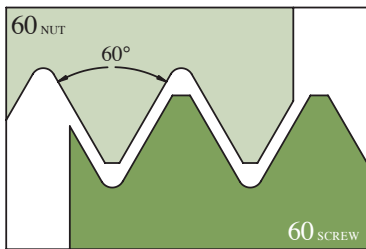
### STANDARD

PITCH RANGE		CATALOG NUMBER		DIMENSIONS			
MM	TPI	RIGHT HAND	LEFT HAND	L mm	I.C.	A	B
0.5-1.5	48-16	A60 ER11	A60 EL11	11	6.35	0.8	0.9
0.5-1.5	48-16	A60 ER16	A60 EL16	16	9.525	0.8	0.9
1.75-3.0	14-8	G60 ER16	G60 EL16			1.2	1.7
0.5-3.0	48-8	AG60 ER16	AG60 EL16			1.2	1.7
3.5-5.0	7-5	N60 ER22	N60 EL22	22	12.70	1.7	2.5
5.5-6.0	4.5-4	Q60 ER27	Q60 EL27	27	15.875	2.0	3.0

### VERTICAL INSERTS

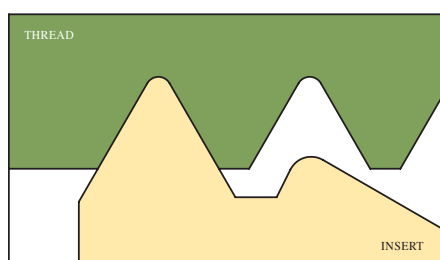
PITCH RANGE		CATALOG NUMBER		DIMENSIONS				
MM	TPI	RIGHT HAND		L mm	I.C.	A	B	T
0.5-1.5	48-16	A60 ER16V		16	9.525	1.1	1.0	3.7
1.75-3.0	14-8	G60 ER16V				1.1	1.7	3.7
0.5-3.0	48-8	AG60 ER16V				1.1	1.7	3.7

## PARTIAL PROFILE 60° INTERNAL



PITCH RANGE		CATALOG NUMBER		DIMENSIONS			
MM	TPI	RIGHT HAND	LEFT HAND	L mm	I.C.	A	B
0.5-1.25	48-20	A60 IR06	A60 IL06	06	4.00	0.5	0.6
0.5-1.5	48-16	A60 IR08	A60 IL08	08	5.00	0.5	0.7
0.5-1.5	48-16	A60 IR11	A60 IL11	11	6.35	0.8	0.9
0.5-1.5	48-16	A60 IR16	A60 IL16	16	9.525	0.8	0.9
1.75-3.0	14-8	G60 IR16	G60 IL16			1.2	1.7
0.5-3.0	48-8	AG60 IR16	AG60 IL16			1.2	1.7
3.5-5.0	7-5	N60 IR22	N60 IL22	22	12.70	1.7	2.5
5.5-6.0	4.5-4	Q60 IR27	Q60 IL27	27	15.875	2.0	3.0

### PARTIAL PROFILE



Partial profile use for thread turning without topping.  
Same insert can be used for wide range of pitches.