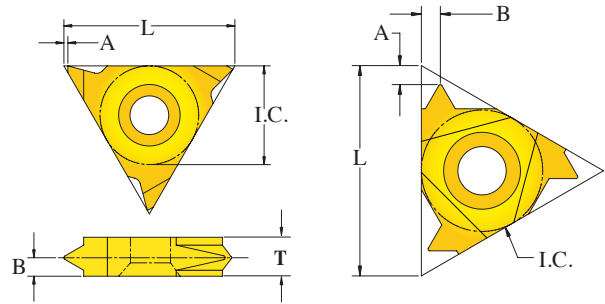
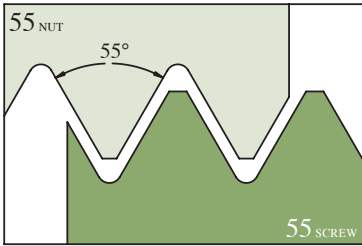


## PARTIAL PROFILE 55° EXTERNAL



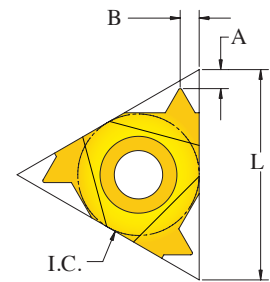
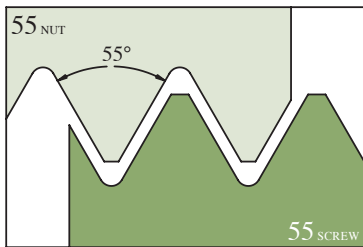
### STANDARD

PITCH RANGE		CATALOG NUMBER		DIMENSIONS			
MM	TPI	RIGHT HAND	LEFT HAND	L mm	I.C.	A	B
0.5-1.5	48-16	A55 ER11	A55 EL11	11	6.35	0.8	0.9
0.5-1.5	48-16	A55 ER16	A55 EL16	16		0.8	0.9
1.75-3.0	14-8	G55 ER16	G55 EL16		16	9.525	1.2
0.5-3.0	48-8	AG55 ER16	AG55 EL16	1.2			1.7
3.5-5.0	7-5	N55 ER22	N55 EL22	22	12.70	1.7	2.5
5.5-6.0	4.5-4	Q55 ER27	Q55 EL27	27	15.875	2.1	3.0

### VERTICAL INSERTS

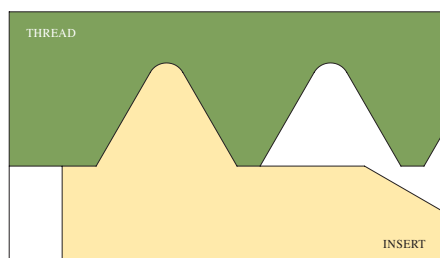
PITCH RANGE		CATALOG NUMBER	DIMENSIONS				
MM	TPI	RIGHT HAND	L mm	I.C.	A	B	T
0.5-1.5	48-16	A55 ER16V	16	9.525	1.1	1.0	3.7
1.75-3.0	14-8	G55 ER16V			1.1	1.7	3.7
0.5-3.0	48-8	AG55 ER16V			1.1	1.7	3.7

## PARTIAL PROFILE 55° INTERNAL



PITCH RANGE		CATALOG NUMBER		DIMENSIONS			
MM	TPI	RIGHT HAND	LEFT HAND	L mm	I.C.	A	B
0.5-1.25	48-20	A55 IR06	A55 IL06	06	4.00	0.5	0.6
0.5-1.5	48-16	A55 IR08	A55 IL08	08	5.00	0.5	0.7
0.5-1.5	48-16	A55 IR11	A55 IL11	11	6.35	0.8	0.9
0.5-1.5	48-16	A55 IR16	A55 IL16	16	9.525	0.8	0.9
1.75-3.0	14-8	G55 IR16	G55 IL16			1.2	1.7
0.5-3.0	48-8	AG55 IR16	AG55 IL16			1.2	1.7
3.5-5.0	7-5	N55 IR22	N55 IL22	22	12.70	1.7	2.5
5.5-6.0	4.5-4	Q55 IR27	Q55 IL27	27	15.875	2.1	3.0

## FULL PROFILE



Full profile insert cuts thread profile including all three thread diameters. Separate insert required for every pitch