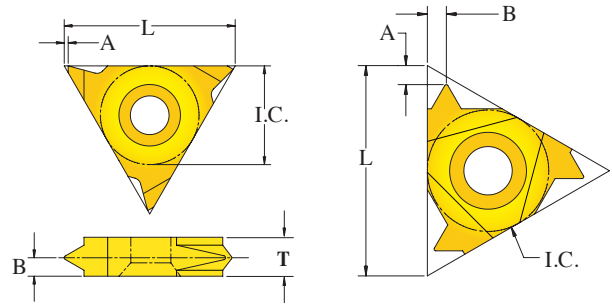
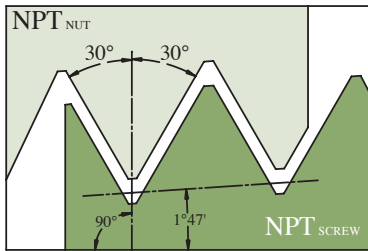


## NPT EXTERNAL

ANSI/ASME B 1.20.1-1983



VERTICAL

STANDARD

## STANDARD

PITCH TPI	CATALOG NUMBER		DIMENSIONS			
	RIGHT HAND	LEFT HAND	L mm	I.C.	A	B
27	NPT 27 ER11	NPT 27 EL11	11	6.35	0.7	0.8
18	NPT 18 ER11	NPT 18 EL11			0.8	1.0
14	NPT 14 ER11	NPT 14 EL11			0.8	1.0
27	NPT 27 ER16	NPT 27 EL16	16	9.525	0.7	0.8
18	NPT 18 ER16	NPT 18 EL16			0.8	1.0
14	NPT 14 ER16	NPT 14 EL16			0.9	1.2
11.5	NPT 11.5 ER16	NPT 11.5 EL16			1.1	1.5
8	NPT 8 ER16	NPT 8 EL16			1.3	1.8

## MULTITOOTH

PITCH TPI	TEETH	CATALOG NUMBER RIGHT HAND	ANVIL	DIMENSIONS			
				L mm	I.C.	A	B
11.5	2	NPT11.5 2M ER22	ES22M	22	12.70	2.4	3.4
11.5	3	NPT11.5 3M ER27	ES27M	27	15.875	3.5	5.6
8	2	NPT8 2M ER27				3.0	4.8

## VERTICAL INSERTS

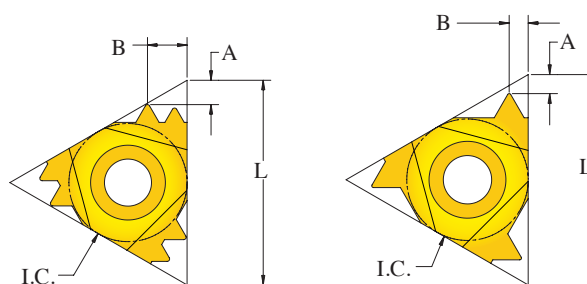
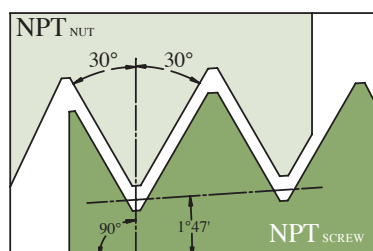
PITCH TPI	CATALOG NUMBER		DIMENSIONS				
	RIGHT HAND		L mm	I.C.	A	B	T
27	NPT27 ER16V		16	9.525	1.1	0.8	3.7
18	NPT18 ER16V				1.1	1.0	3.7
14	NPT14 ER16V				1.1	1.2	3.7
11.5	NPT11.5 ER16V				1.1	1.5	3.7

# Threading Inserts



## NPT INTERNAL

ANSI/ASME B 1.20.1-1983



MULTITOOTH

STANDARD

## STANDARD

PITCH TPI	CATALOG NUMBER		DIMENSIONS			
	RIGHT HAND	LEFT HAND	L mm	I.C.	A	B
27	NPT27 IR06	NPT27 IL06	06	4.00	0.7	0.5
27	NPT 27 IR08	NPT 27 IL08	08	5.00	0.7	0.6
18	NPT 18 IR08	NPT 18 IL08			0.7	0.7
27	NPT 27 IR11	NPT 27 IL11	11	6.35	0.7	0.8
18	NPT 18 IR11	NPT 18 IL11			0.8	1.0
14	NPT 14 IR11	NPT 14 IL11			0.8	1.0
27	NPT 27 IR16	NPT 27 IL16	16	9.525	0.7	0.8
18	NPT 18 IR16	NPT 18 IL16			0.8	1.0
14	NPT 14 IR16	NPT 14 IL16			0.9	1.2
11.5	NPT 11.5 IR16	NPT 11.5 IL16			1.1	1.5
8	NPT 8 IR16	NPT 8 IL16			1.3	1.8

## MULTITOOTH

PITCH TPI	TEETH	CATALOG NUMBER RIGHT HAND	ANVIL	DIMENSIONS			
				L mm	I.C.	A	B
11.5	2	NPT11.5 2M IR22	IS22M	22	12.70	2.4	3.4
11.5	3	NPT11.5 3M IR27	IS27M	27	15.875	3.5	5.6
8	2	NPT8 2M IR27				3.0	4.8