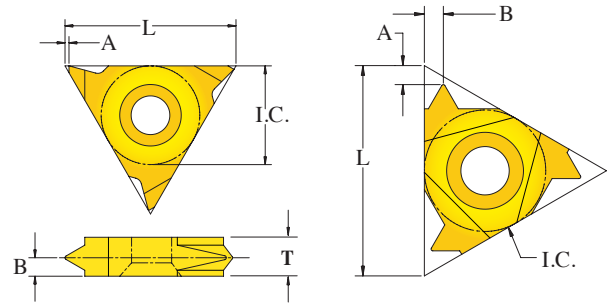
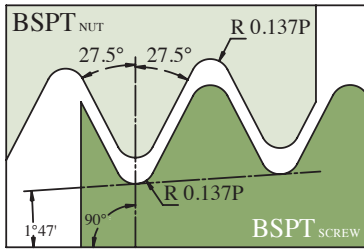


BSPT EXTERNAL

B.S. 21: 1985



VERTICAL

STANDARD

STANDARD

PITCH TPI	CATALOG NUMBER		DIMENSIONS			
	RIGHT HAND	LEFT HAND	L mm	I.C.	A	B
28	BSPT 28 ER11	BSPT 28 EL11	11	6.35	0.7	0.6
19	BSPT 19 ER11	BSPT 19 EL11			0.8	0.9
14	BSPT 14 ER11	BSPT 14 EL11			0.9	1.0
28	BSPT 28 ER16	BSPT 28 EL16	16	9.525	0.6	0.6
19	BSPT 19 ER16	BSPT 19 EL16			0.8	0.9
14	BSPT 14 ER16	BSPT 14 EL16			1.0	1.2
11	BSPT 11 ER16	BSPT 11 EL16			1.1	1.5

VERTICAL INSERTS

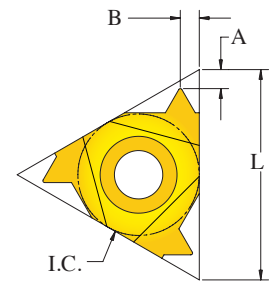
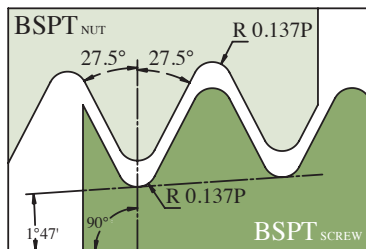
PITCH TPI	CATALOG NUMBER	DIMENSIONS				
		L mm	I.C.	A	B	T
28	BSPT28 ER16V	16	9.525	1.1	0.8	3.7
19	BSPT19 ER16V			1.1	1.0	3.7
14	BSPT14 ER16V			1.1	1.2	3.7
11	BSPT11 ER16V			1.1	1.5	3.7

Threading Inserts



BSPT INTERNAL

B.S. 21: 1985



PITCH	CATALOG NUMBER		DIMENSIONS			
	RIGHT HAND	LEFT HAND	L mm	I.C.	A	B
TPI						
28	BSPT 28 IR06	BSPT 28 IL06	06	4.00	0.7	0.5
28	BSPT 28 IR08	BSPT 28 IL08	08	5.00	0.7	0.6
19	BSPT 19 IR08	BSPT 19 IL08			0.7	0.7
28	BSPT 28 IR11	BSPT 28 IL11	11	6.35	0.8	0.9
19	BSPT 19 IR11	BSPT 19 IL11			0.8	0.9
14	BSPT 14 IR11	BSPT 14 IL11			0.9	1.0
28	BSPT 28 IR16	BSPT 28 IL16	16	9.525	0.6	0.6
19	BSPT 19 IR16	BSPT 19 IL16			0.8	0.9
14	BSPT 14 IR16	BSPT 14 IL16			1.0	1.2
11	BSPT 11 IR16	BSPT 11 IL16			1.1	1.5