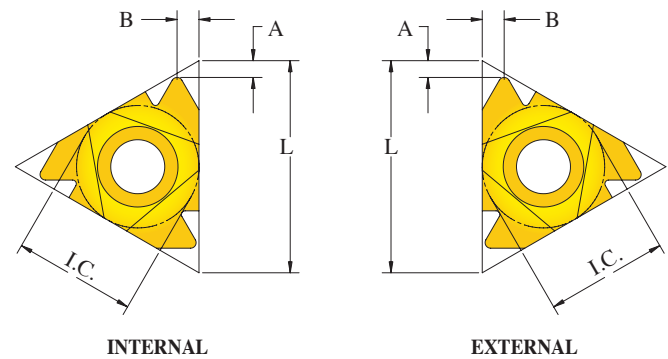
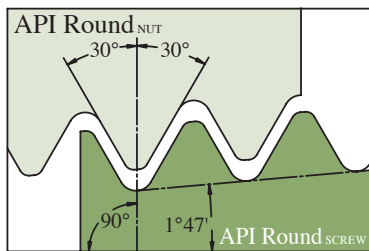


API ROUND

API SPEC 5B : 2008



EXTERNAL

PITCH TPI	TAPER IPF	CATALOG NUMBER RIGHT HAND	DIMENSIONS			
			L mm	I.C.	A	B
10	0.75	APIRD10 ER16	16	9.525	1.4	1.4
8		APIRD8 ER16			1.3	1.5

INTERNAL

PITCH TPI	TAPER IPF	CATALOG NUMBER RIGHT HAND	DIMENSIONS			
			L mm	I.C.	A	B
10	0.75	APIRD10 IR16	16	9.525	1.4	1.4
8		APIRD8 IR16			1.3	1.5

MULTITOOTH

PITCH TPI	TEETH	CATALOG NUMBER EXTERNAL		CATALOG NUMBER INTERNAL		DIMENSIONS			
		RIGHT HAND	ANVIL	RIGHT HAND	ANVIL	L mm	I.C.	A	B
10	2	APIRD10 2M ER22	ES22M	APIRD10 2M IR22	IS22M	22	12.70	2.4	3.6
10	3	APIRD10 3M ER27	ES27M	APIRD10 3M IR27	IS27M	27	15.875	3.6	6.3
8	2	APIRD8 2M ER27		APIRD8 2M IR27				2.9	4.6