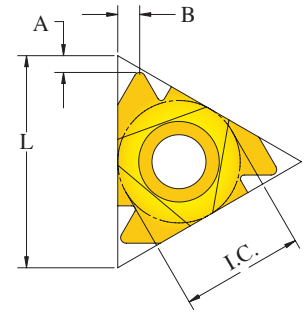
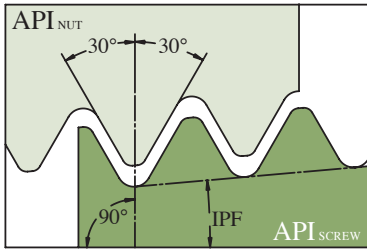


## API EXTERNAL

API SPEC 7 : 2001



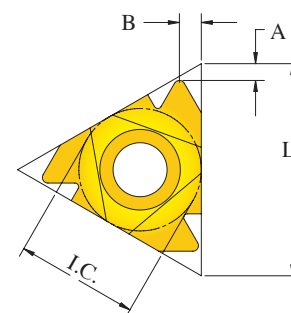
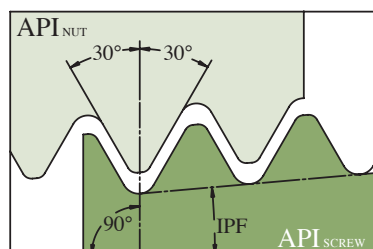
THREAD	PITCH TPI	TAPER IPF	CATALOG NUMBER RIGHT HAND	SIZE	DIMENSIONS			
					L mm	I.C.	A	B
V-0.040	5	3	API5 403 ER22	2 3/8" - 4 1/2" REG	22	12.70	1.8	2.6
V-0.038R	4	2	API4 382 ER22	NC23-NC50			2.0	2.6
V-0.038R	4	3	API4 383 ER22	NC56-NC77			2.0	2.6
V-0.050	4	2	API4 502 ER22	6 5/8" REG			1.9	2.8
V-0.050	4	3	API4 503 ER22	5 1/2" , 7 5/8" , 8 5/8" REG			1.9	2.8
V-0.040	5	3	API5 403 ER27	2 3/8" - 4 1/2" REG	27	15.875	1.9	2.7
V-0.038R	4	2	API4 382 ER27	NC23-NC50			2.2	2.8
V-0.038R	4	3	API4 383 ER27	NC56-NC77			2.2	2.8
V-0.050	4	2	API4 502 ER27	6 5/8" REG			2.2	3.0
V-0.050	4	3	API4 503 ER27	5 1/2" , 7 5/8" , 8 5/8" REG			2.2	3.0

# Threading Inserts



## API INTERNAL

API SPEC 7 : 2001



THREAD	PITCH TPI	TAPER IPF	CATALOG NUMBER RIGHT HAND	SIZE	DIMENSIONS			
					L mm	I.C.	A	B
V-0.040	5	3	API5 403 IR22	2 3/8" - 4 1/2" REG	22	12.70	1.8	2.6
V-0.038R	4	2	API4 382 IR22	NC23-NC50			2.0	2.6
V-0.038R	4	3	API4 383 IR22	NC56-NC77			2.0	2.6
V-0.050	4	2	API4 502 IR22	6 5/8" REG			1.9	2.8
V-0.050	4	3	API4 503 IR22	5 1/2" , 7 5/8" , 8 5/8" REG			1.9	2.8
V-0.040	5	3	API5 403 IR27	2 3/8" - 4 1/2" REG	27	15.875	1.9	2.7
V-0.038R	4	2	API4 382 IR27	NC23-NC50			2.2	2.8
V-0.038R	4	3	API4 383 IR27	NC56-NC77			2.2	2.8
V-0.050	4	2	API4 502 IR27	6 5/8" REG			2.2	3.0
V-0.050	4	3	API4 503 IR27	5 1/2" , 7 5/8" , 8 5/8" REG			2.2	3.0