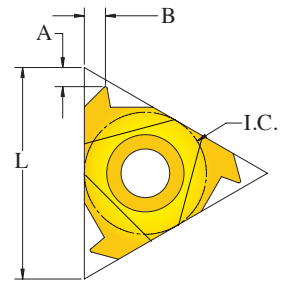
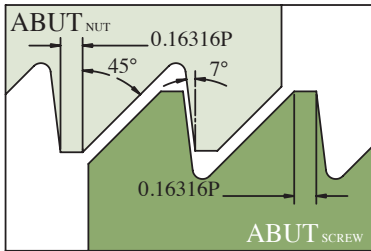
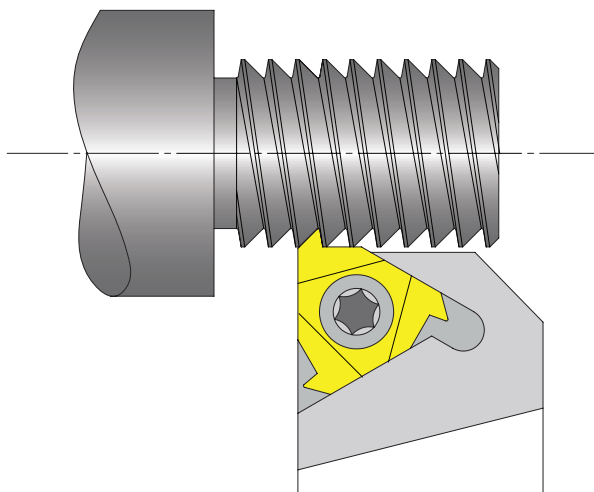


## AMERICAN BUTTRESS EXTERNAL

ANSI B 1.9-1973



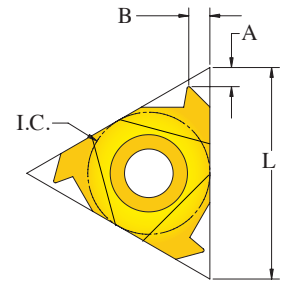
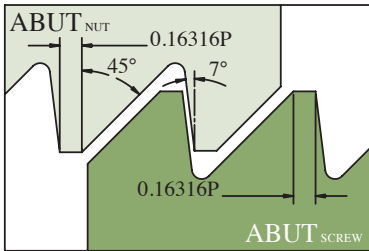
PITCH  TPI	CATALOG NUMBER		DIMENSIONS			
	RIGHT HAND	LEFT HAND	L mm	I.C.	A	B
20	ABUT 20 ER11	ABUT 20 EL11	11	6.35	1.0	1.4
16	ABUT 16 ER11	ABUT 16 EL11			1.1	1.6
20	ABUT 20 ER16	ABUT 20 EL16	16	9.525	1.0	1.4
16	ABUT 16 ER16	ABUT 16 EL16			1.0	1.5
12	ABUT 12 ER16	ABUT 12 EL16			1.4	2.0
10	ABUT 10 ER16	ABUT 10 EL16	22	12.70	1.5	2.3
8	ABUT 8 ER22	ABUT 8 EL22			2.0	3.2
6	ABUT 6 ER22	ABUT 6 EL22			2.1	3.4



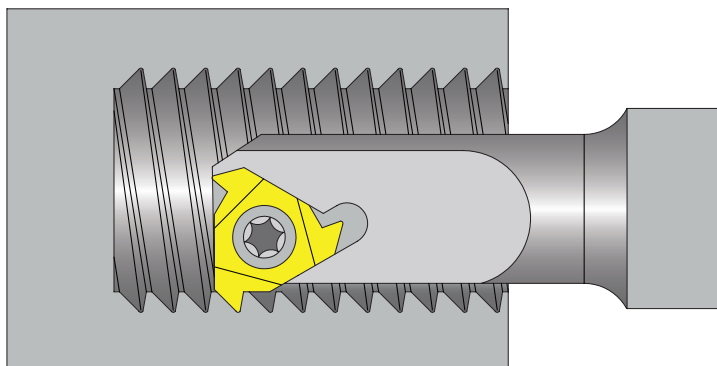
STANDARD LEADING ANGLE: 45°

## AMERICAN BUTTRESS INTERNAL

ANSI B 1.9-1973



PITCH TPI	CATALOG NUMBER		DIMENSIONS			
	RIGHT HAND	LEFT HAND	L mm	I.C.	A	B
20	ABUT 20 IR11	ABUT 20 IL11	11	6.35	1.0	1.4
16	ABUT 16 IR11	ABUT 16 IL11			1.1	1.6
20	ABUT 20 IR16	ABUT 20 IL16	16	9.525	1.0	1.4
16	ABUT 16 IR16	ABUT 16 IL16			1.0	1.5
12	ABUT 12 IR16	ABUT 12 IL16			1.4	2.0
10	ABUT 10 IR16	ABUT 10 IL16			1.5	2.3
8	ABUT 8 IR22	ABUT 8 IL22	22	12.70	2.0	3.2
6	ABUT 6 IR22	ABUT 6 IL22			2.1	3.4



STANDARD LEADING ANGLE: 45°